

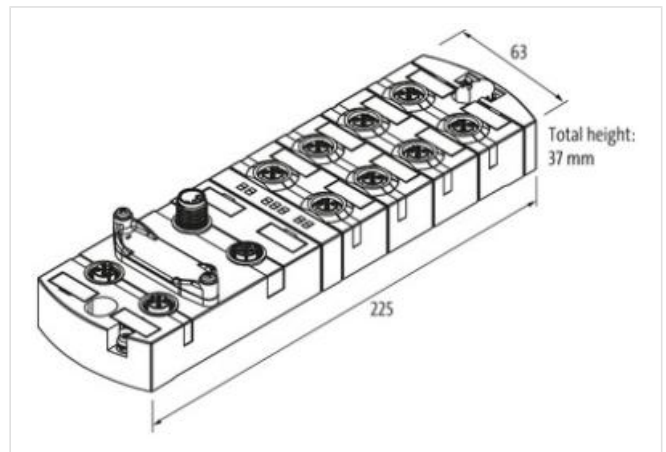
MVK-MPNIO DIO12 DIO4/IOL4 M12L 4P

ProfiNet, Compact module, metal

Digital inputs/outputs
 DIO12 DIO4/IOL4 (IRT)
 Ethernet 10/100 Mbit/s; M12, D-coded
 M12 Power, 4-pole, L-coded
 M12, 5-pole, A-coded
 IO-Link Master V1.1.2
 Connection cables are in the online shop under "Connection Technology".
 Housing fully potted.

Link to Product**Illustration**

Product may differ from Image

**General data**

Mounting method	2-hole screw mounting
Temperature range	-25...+60 °C (storage temperature -25...+70 °C)
Protection	IP67
Dimensions HxWxD	37x63x225 mm

Output

Lamp load	10 W
Actuator supply UA	24 V DC (EN 61131-2), max. 9 A
Switching current per output	max. 1.6 A (short-circuit and overload protected)

Input

Sensor supply US	24 V DC (EN 61131-2), max. 200 mA (M12 female)/max. 1 A (IO-Link female), short-circuit and overload protected
Type	for 3-wire sensors or mechanical switches, PNP, IO-Link Devices

IO-Link

Specification	IO-Link Master V1.1.2
Port Class	Class B (not galvanically separated)
IO-Link	4x Master
Transfer parameters	32 Byte (In) 32 Byte (Out) per IO-Link port

The information in this brochure has been compiled with the utmost care.

Liability for the correctness completeness and topicality of the information is restricted to gross negligence. Version: 2022-08-30

Murrelektronik GmbH | Falkenstraße 3 | 71570 Oppenweiler | Fon +49 (71 91) 47-0 | Fax +49 (71 91) 47-491000 | shop@murrelektronik.de | shop.murrelektronik.de

Operating modes COM1; COM2; COM3 (automatic)

Parameterization

PIN 4 Input/Output (port X0...X7); IO-Link Master (port X4...X7)

PIN 2 Input/Output (port X0...X7); U-Actuator IO-Link Class B (port X4...X7)

Connections

Fieldbus Ethernet 10/100 Mbit/s; M12, D-coded

Sensor-system/actuator supply M12 Power, 4-pole, L-coded, 2× max. 16 A

I/O ports M12, 5-pole, A-coded

PROFINET

Specification V2.3, Conformance Class C (IRT)

Addressing DCP

FSU (Fast-Start-Up) max. 500 ms

PROFINET Netload Class III

MRP yes

Shared Device yes, for 2 controls

Article No. 55162

Diagnostic

Communication status via LED

Diagnostic via LED per module and channel

Diagnostic via BUS per module and channel

Actuator warning per channel via LED and BUS

Monitoring - under voltage yes

Monitoring - no voltage yes

Short-circuit and overload yes

Cable break per port